

Curettes

Hardy

Description	Part #
4 mm Tip, Malleable, 10¹/₄ inches (26 cm)	72-318
6 mm Tip, Malleable, 10¹/₄ inches (26 cm)	72-319



Dissectors

Hardy-Fahlbusch

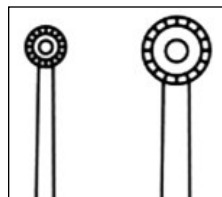
Description	Part #
Left Hook, Sharpened Inner Edge, 9³/₄ inches (24.5 cm)	72-320
Right Hook, Sharpened Inner Edge, 9³/₄ inches (24.5 cm)	72-321



Forceps

Hunt Tumor Grasping Forceps

Description	Part #
5 mm Tip, Flat Jaws, Serrated, 8 inches (20 cm)	72-261

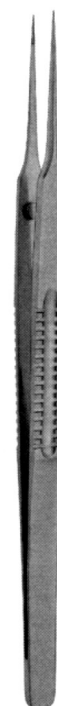


Tip detail



Lazar Micro Suture Tying Forceps

Description	Part #
0.5 mm Tip, 6 inches (15.5 cm)	72-262
0.8 mm Tip, 6 inches (15.5 cm)	72-263
0.5 mm Tip, 7 1/4 inches (18.5 cm)	72-264



Forceps

Micro Suture Tying Forceps

Description	Part #
Straight, 0.3 mm Tip, with Guide and Stop Pin, 5 inches (12 cm)	72-325
Straight, 0.3 mm Tip, with Guide and Stop Pin, 6 inches (15 cm)	72-326
Curved, 0.3 mm Tip, with Guide and Stop Pin, 5 inches (12 cm)	72-327
Curved, 0.3 mm Tip, with Guide and Stop Pin, 6 inches (15 cm)	72-328



Titanium Micro Ring Forceps

Description	Part #
Fine Serrated, 1x0.5 mm Ring, 6 inches (15 cm)	72-239
Fine Serrated, 1 x 0.5 mm Ring, 8¼ inches (21 cm)	72-330
Diamond Coated, 1 x 0.5 mm Ring, 6 inches (15 cm)	72-241
Diamond Coated, 1 x 0.5 mm Ring, 7 inches (18 cm)	72-322
Diamond Coated, 2 x 1 mm Ring, 6 inches (15 cm)	72-323
Diamond Coated, 2 x 1 mm Ring, 7 inches (18 cm)	72-324
Diamond Coated, 2 x 1 mm Ring, 8¼ inches (21 cm)	72-331



Forceps

Yasargil Micro Forceps, Bayonet

Description	Part #
Straight, Sharp Tips, Flat Handle, 6½ inches (16 cm)	72-333
Straight, Sharp Tips, Flat Handle, 7 inches (18 cm)	72-334
Straight, Sharp Tips, Flat Handle, 8 inches (20 cm)	72-335
Straight, Blunt Tips, Flat Handle, 6½ inches (16 cm)	72-336
Straight, Blunt Tips, Flat Handle, 7 inches (18 cm)	72-337
Straight, 1x2 Teeth, Flat Handle, 7 inches (18 cm)	72-338

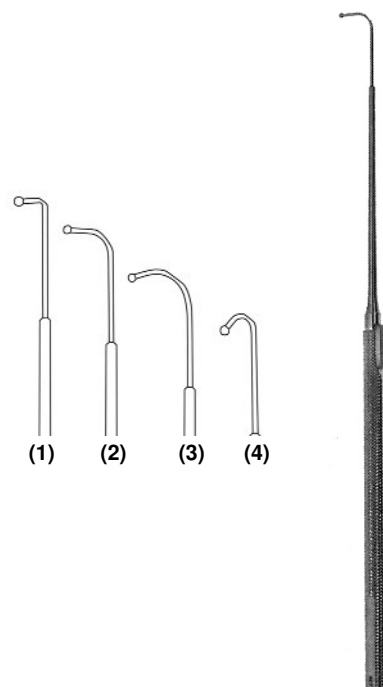


Yasargil Tumor Grasping Forceps

Description	Part #
3 mm Tips, Jaws Spoon-Shaped, 8½ inches (22 cm)	72-339
3 mm Tips, Jaws Spoon-Shaped, 9½ inches (24 cm)	72-340
5 mm Tips, Jaws Spoon-Shaped, 8½ inches (22 cm)	72-341
5 mm Tips, Jaws Spoon-Shaped, 9½ inches (24 cm)	72-342
7 mm Tips, Jaws Spoon-Shaped, 9½ inches (24 cm)	72-343
3 mm Tips, Flat Jaws, Serrated, 8½ inches (22 cm)	72-344
5 mm Tips, Flat Jaws, Serrated, 8½ inches (22 cm)	72-258
3 mm Tips, Curette Jaws, with Teeth, 8½ inches (22 cm)	72-259
5 mm Tips, Curette Jaws, with Teeth, 8½ inches (22 cm)	72-260



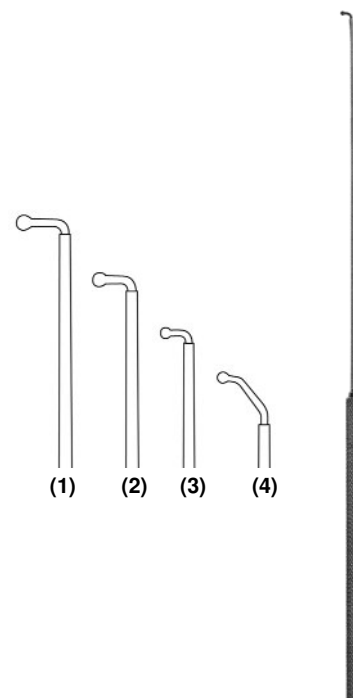
Description	Part #
Pointed Probe, (1) 7 ¹ / ₄ inches (18.5 cm)	72-265
Pointed Probe, (2) 7 ¹ / ₄ inches (18.5 cm)	72-266
Pointed Probe, (3) 7 ¹ / ₄ inches (18.5 cm)	72-267
Pointed Probe, (4) 7 ¹ / ₄ inches (18.5 cm)	72-268



Hooks

Caspar Exploration and Coagulation Hook

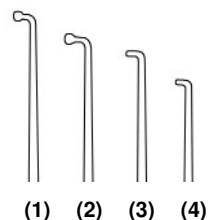
Description	Part #
Not Insulated, (1) 9 ³ / ₄ inches (24.5 cm)	72-269
Not Insulated, (2) 9 ³ / ₄ inches (24.5 cm)	72-270
Not Insulated, (3) 9 ³ / ₄ inches (24.5 cm)	72-271
Not Insulated, (4) 9 ³ / ₄ inches (24.5 cm)	72-272



Hooks

Krayenbuhl Nerve and Vessel Hook

Description	Part #
(1), 7¼ inches (18.5 cm)	72-273
(2), 7¼ inches (18.5 cm)	72-274
(3), 7¼ inches (18.5 cm)	72-275
(4), 7¼ inches (18.5 cm)	72-276



Retractors

Nerve Root Retractor

Description	Part #
Straight Tip, 7½ inches (19 cm)	72-277
45° Angled Tip, 7½ inches (19 cm)	72-278
90° Angled Tip, 7½ inches (19 cm)	72-279



Yasargil Micro Scissors, Bayonet

Description	Part #
Straight, Smooth Blade, 6½ inches (16.5 cm)	72-280
Straight, Smooth Blade, 8 inches (20 cm)	72-281
Curved, Smooth Blade, 6½ inches (16.5 cm)	72-282
Curved, Smooth Blade, 8 inches (20 cm)	72-283
Curved Downward, Smooth Blade, 8 inches (20 cm)	72-284

